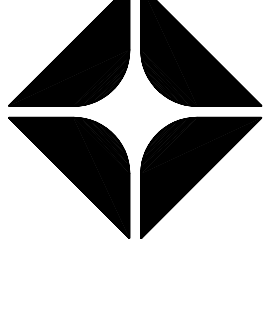


CLIENT:



PRINCE REAL ESTATE HOLDINGS, INC.
RIVERSIDE COUNTY TRAVEL ZONE, LLC
CEO & CO-FOUNDER

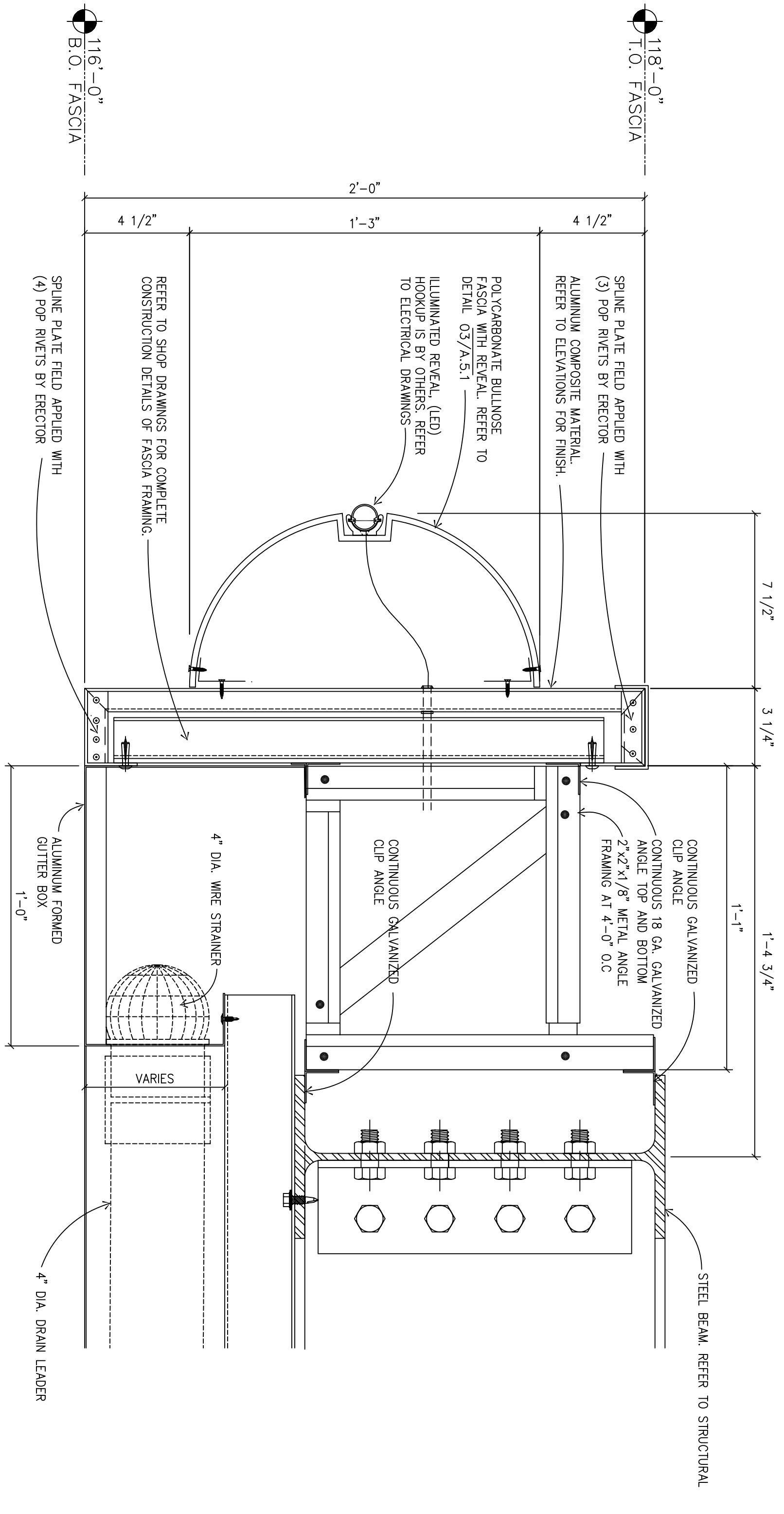


BRAND: ARCO
BY WEST COAST PRODUCTS, LLC

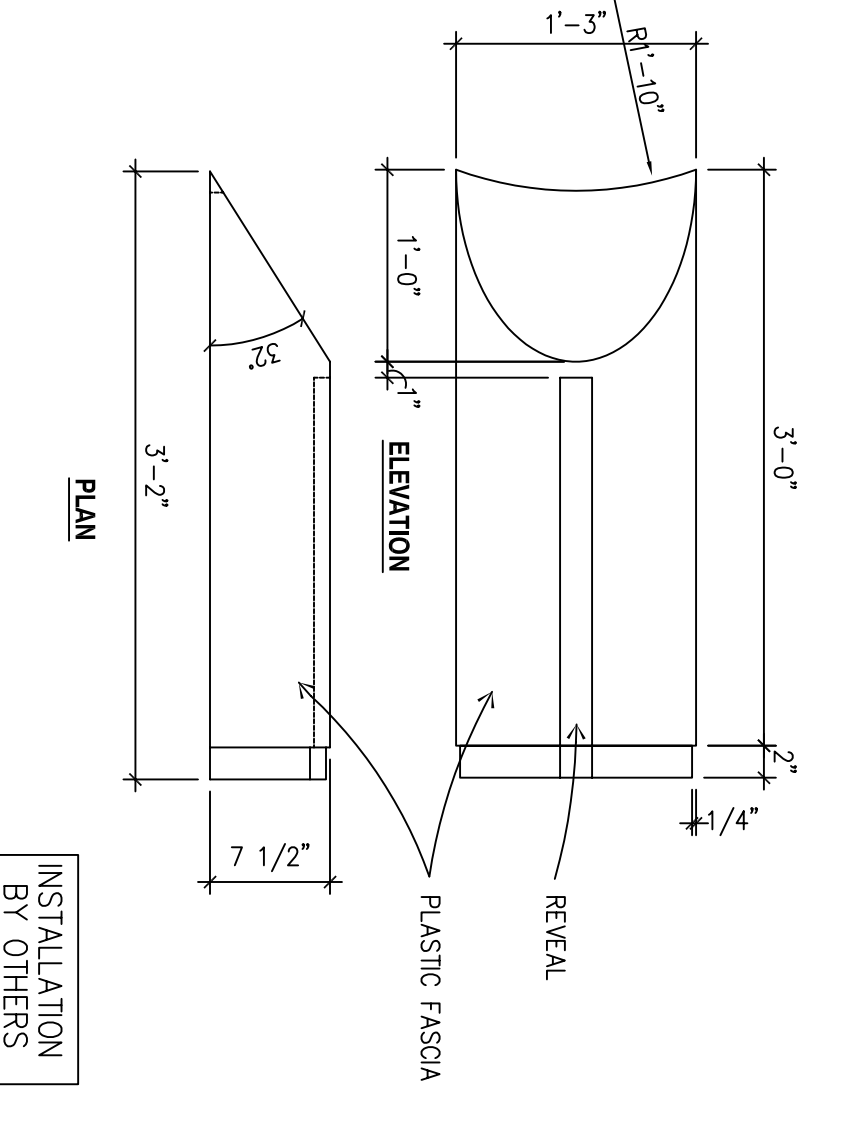
CONSULTANT:



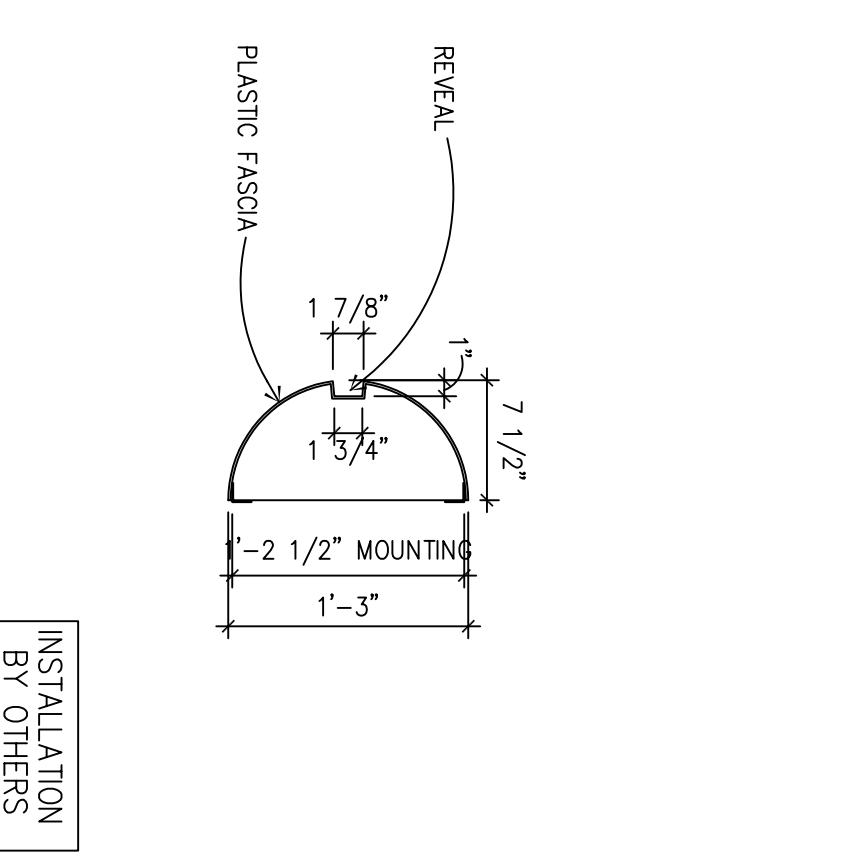
733 N. MAIN ST.
ORANGE, CA 92666
714/ 769-2000
714/ 769-2002 Fax
www.westernstates.com
A "Design/Build" Co.



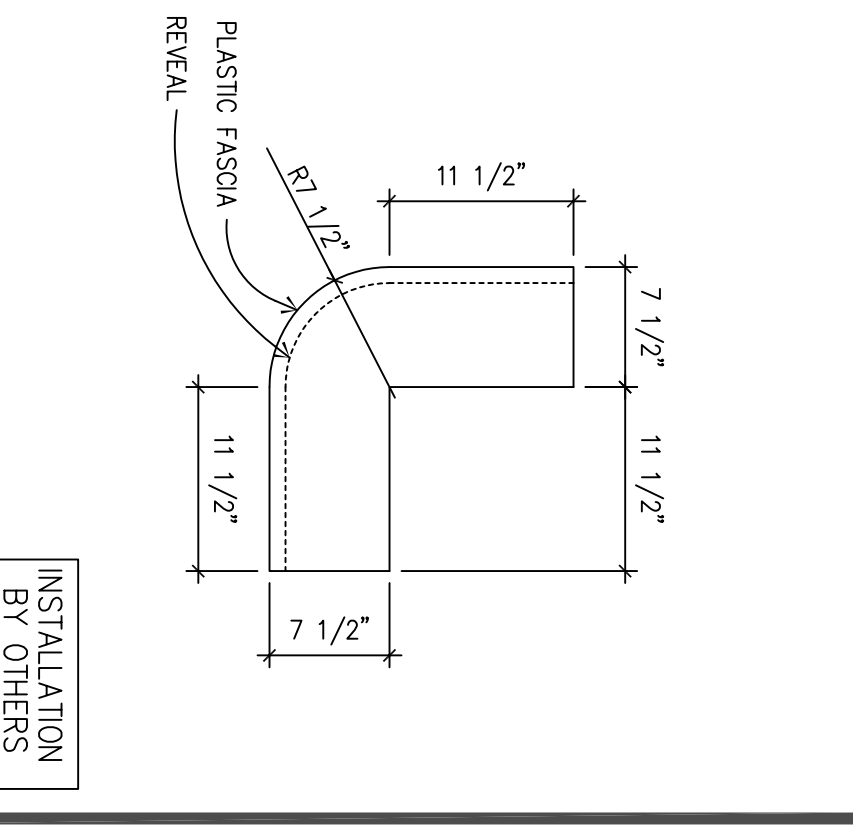
01 FASCIA DETAIL
A.3.1 SCALE: 3" = 1' - 0"



04 STRAIGHT BULLNOSE DETAIL
A.3.1 SCALE: 1" = 1' - 0"



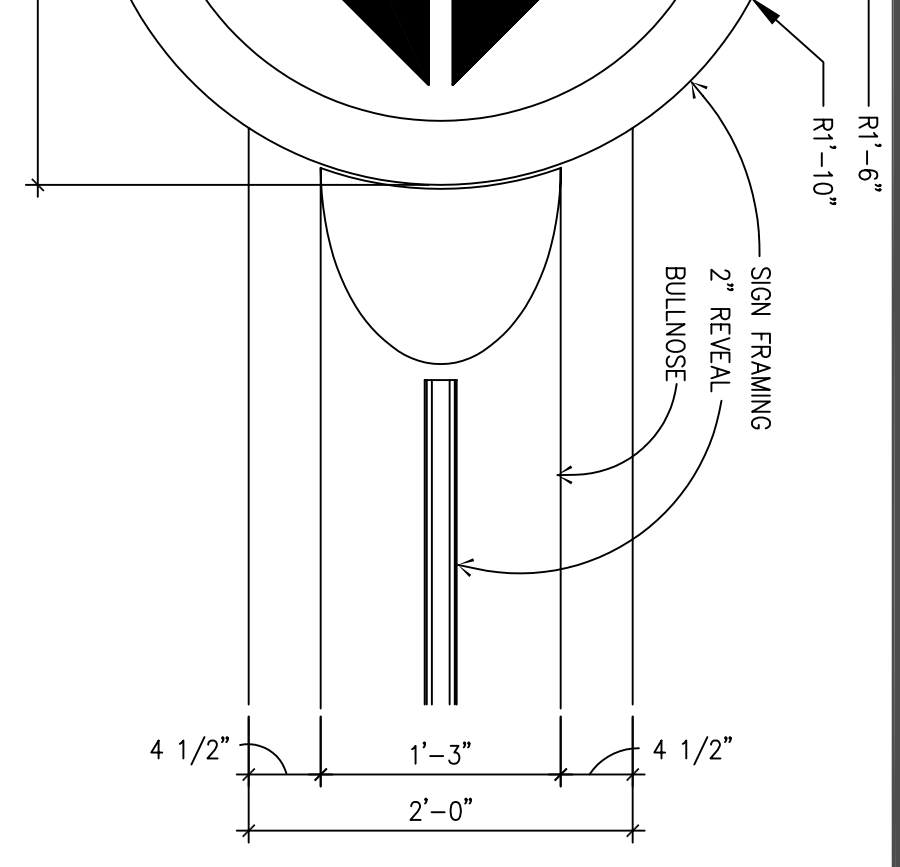
03 BULLNOSE SECTION
A.3.1 SCALE: 1" = 1' - 0"



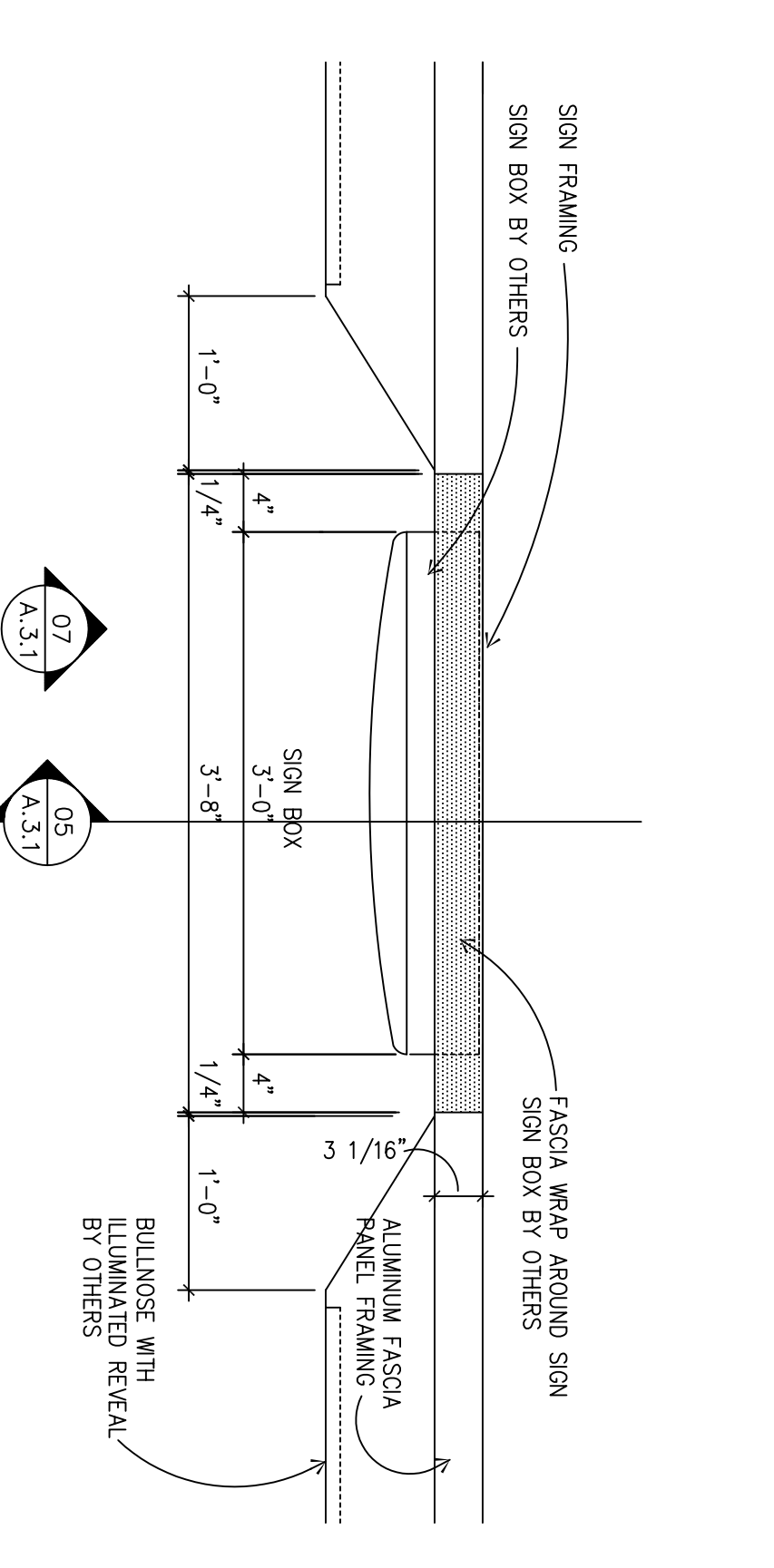
02 BULLNOSE CORNER DETAIL
A.3.1 SCALE: 1" = 1' - 0"



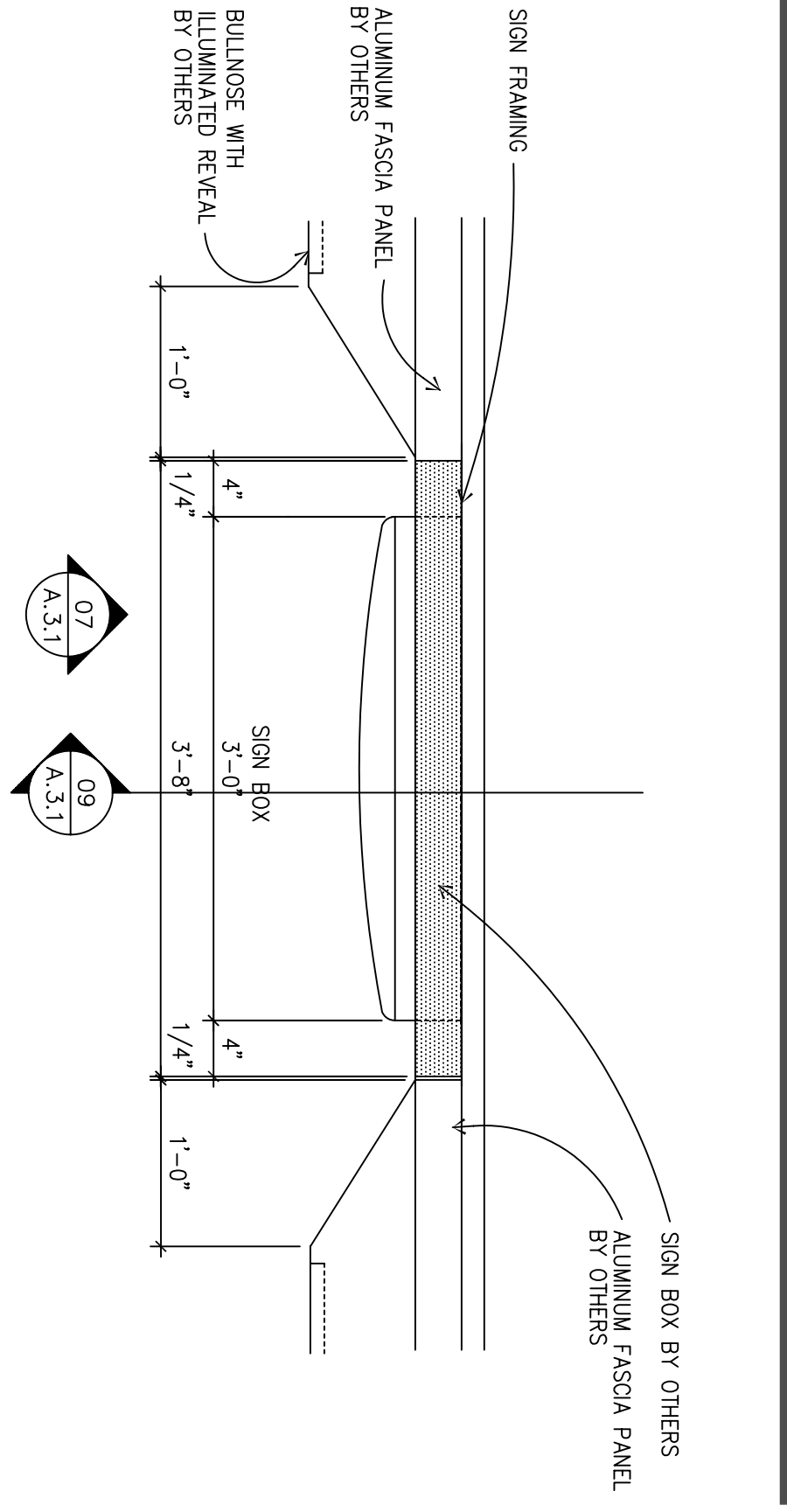
07 SIGN DETAIL
A.3.1 SCALE: 1" = 1' - 0"



09 END SIGN SECTION
A.3.1 SCALE: 1" = 1' - 0"



08 ILLUMINATED SIGN BOX (FRONT DETAIL)
A.3.1 SCALE: 1" = 1' - 0"



10 ILLUMINATED SIGN BOX (END DETAIL)
A.3.1 SCALE: 1" = 1' - 0"

NO. DATE REVISION DESCRIPTION

| | | |
|---|----------|---|
| 1 | 11-17-04 | BUILDING SUBMITTAL |
| 2 | 4-19-04 | REVISION FOR PANEL DETAILS |
| 3 | 6-01-04 | REVISION FOR PANEL DETAILS |
| 4 | 6-10-04 | REVISION FOR PANEL DETAILS |
| 5 | 9-27-04 | REVISION FOR PANEL DETAILS & N-TROUSE CONNECTIONS |



CONFERENTIALITY STATEMENTS:
THE SIGNAGE OF THIS MATERIAL IS THE PROPERTY OF WESTERNSTATES AND SHALL REMAIN THE PROPERTY OF WESTERNSTATES. THE SIGNAGE SHALL NOT BE REPRODUCED OR TRANSMITTED IN ANY FORM OR BY ANY MEANS, ELECTRONIC OR MECHANICAL, INCLUDING PHOTOCOPYING, RECORDING, OR BY ANY INFORMATION STORAGE AND RETRIEVAL SYSTEM, WITHOUT THE WRITTEN PERMISSION OF WESTERNSTATES. THE SIGNAGE SHALL BE DESTROYED OR REPRODUCED AT THE USER'S RISK. WESTERNSTATES SHALL NOT BE RESPONSIBLE FOR ANY DAMAGE TO OR LOSS OF DATA FROM ANY INFORMATION STORAGE AND RETRIEVAL SYSTEM. WESTERNSTATES SHALL NOT BE RESPONSIBLE FOR ANY DAMAGE TO OR LOSS OF DATA FROM ANY INFORMATION STORAGE AND RETRIEVAL SYSTEM.

DEVELOPMENT INFORMATION:
CANOPY
DOMINIO 8
FLAT DECK

SITE ADDRESS:
23261 CALALCO EXWY.
@ HAVILL AVENUE
FERRIS, CALIFORNIA 92521

DESIGNED BY: HILLMAN ZAKAY
CHECKED BY: JIP REPNE
DRAWN BY: ALIANCE PNL
PROJECT NO.: E75403
VERSION:

DRAWING TITLE:
DETAILS
SHEET NO.:
DOFO
A.5