

Underground Service Alert

Call: TOLL FREE 1-800-227-2600

TWO WORKING DAYS BEFORE YOU DIG

E Soil Prep / Fertilizer N/A

Fertilizer Program:

(30) DAY INTERVALS USING THE FOLLOWING FORMULA:

5 LBS. 16-16-16 COMMERCIAL FERTILIZER PER 1000 SQ. FT.

AFTER ALL SITE GRADING HAS BEEN COMPLETED, THE CONTRACTOR SHALL OBTAIN, AT HIS EXPENSE, AN AGRONOMIC SOILS TEST. THIS TEST SHALL BE PERFORMED BY AN APPROVED SOIL LAB AND SHALL INCLUDE ALL OF THE ABOVE INFORMATION. THE RECOMMENDATIONS OF THIS REPORT SHALL TAKE PRECEDENCE OVER THE ABOVE QUANTITIES ONLY WHEN THEY EXCEED THE SPECIFIED MINIMUMS.

SOIL PREPARATION / BACKFILL NOTE:

TO ALL NEW PLANTING AREAS (SHRUB AND GROUND COVER), ROTOTILL THE FOLLOWING AMENDMENTS:

'NITROMULCH' SOIL AMENDMENT - 3 CU. YDS. PER 1000 SQ. FT.

16-16-16 COMMERCIAL FERTILIZER - 12 LBS. PER 1000 SQ. FT.

BACKFILL MIX FOR TREES, SHRUBS, AND VINES SHALL BE AS FOLLOWS:

6 PARTS BY VOLUME ORGANIC AMENDMENT AS ABOVE

1 LB. IRON SULFATE PER CU. YD. OF MIX

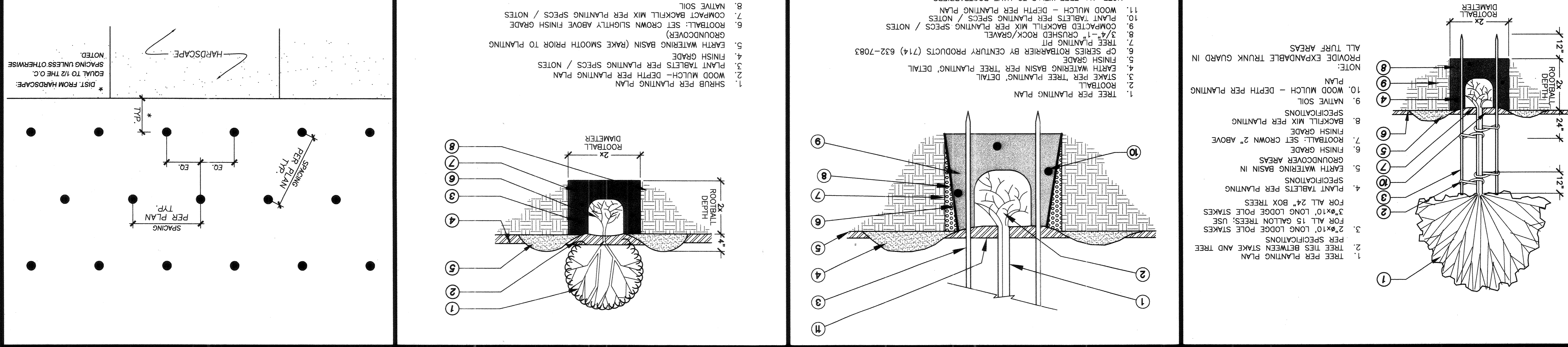
2 LBS. IRON SULFATE PER CU. YD. OF MIX

'NITROMULCH' SOIL AMENDMENT AVAILABLE FROM 'KELLOG SUPPLY, INC.' (800) 232-2322

PLANTING NOTES:

- GENERAL - ALL WORK SHALL BE DONE IN ACCORDANCE WITH APPLICABLE CITY AND COUNTY CODES AND THESE PLANS. THE CONTRACTOR SHALL CAREFULLY INSPECT THE SITE AND VERIFY ALL CONDITIONS AND DIMENSIONS SHOWN ON THE PLANS PRIOR TO COMMENCEMENT OF ANY WORK UNDER THIS CONTRACT.
- PROPERTY DAMAGE INSURANCE AS REQUIRED BY OWNER.
- CONTRACTOR SHALL CARRY ALL WORKER'S COMPENSATION, PUBLIC LIABILITY, AND CONTRACTOR'S LIABILITY INSURANCE.
- ALL IRIGATION WORK SHALL APPLY FOR ALL PERMITS AND PAY FOR SAME.
- THE CONTRACTOR SHALL APPLY FOR ALL PERMITS AND PAY FOR SAME.
- ARCHITECT PRIOR TO BEGINNING ANY GROUND COVER PLANTING WORK.
- PLANTING WORK PRIOR TO STARTING WORK. THE CONTRACTOR SHALL CONTACT THE LANDSCAPE ARCHITECT AND THE ARCHITECT WILL INSPECT THE PLANS AND APPROVE ALL PLANT MATERIAL SPOTTED IN THE FIVE GALLON AND BOTTLE GALLON MATERIALS.
- THE QUALITY OF WORKMANSHIP AND MATERIALS SHALL BE OF THE HIGHEST STANDARDS. COOPERATION AND FLEXIBILITY IS EXPECTED OF THE CONTRACTOR TOWARD WORKING WITH THE OWNER'S SUPERINTENDENT AND THE LANDSCAPE ARCHITECT.
- UPON COMPLETION OF EACH PHASE OF WORK, THE CONTRACTOR SHALL THOROUGHLY CLEAN THE SITE OF ALL ACCUMULATED RUBBISH, DEBRIS, AND OTHER EXTRANEOUS MATERIAL.
- SCOPE OF WORK - CONTRACTOR SHALL FURNISH ALL MATERIAL, LABOR, TRANSPORTATION, EQUIPMENT AND PROPERTY TO COMPLETE THE LANDSCAPING OF THE PLANTING AREAS AS INDICATED ON OR RESPONSIBLY LIMITED BY THE DIMENSIONS AND NOTES INCLUDED AS A PART OF THE WORK, BUT NOT NECESSARILY LIMITED BY IT ARE THE FOLLOWING ITEMS: FINE GRADING OF ALL PLANTING AREAS; PREPARATION OF ALL PLANTING AND TREE HOLES; FURNISHING AND INSTALLATION OF ALL PLANT MATERIALS; PROVIDING MAINTENANCE THROUGHOUT THE PROJECT PERIOD; PROVIDING PLANT ESTABLISHMENT WORK THROUGHOUT THE SPECIFIED PERIOD; CLEAN-UP AND WEEDING OF ALL LANDSCAPE AREAS.
- THE CONTRACTOR SHALL REMOVE ALL WEEDS, ROCKS OVER 2" DIAMETER, DEBRIS AND OTHER EXTRANEOUS MATERIAL FROM THE JOB SITE IN A LEGAL MANNER PRIOR TO PROCEEDING WITH ANY WORK UNDER THIS CONTRACT.
- THE OWNER SHALL PROVIDE ROUGH GRADE TO WITHIN 1/10th OF 1 FOOT OF FINISH GRADE. INCLUDING ANY MINOR ADJUSTMENTS TO EARTH BERM AND SLOPE SHAPES. PROVIDE FINISH GRADE IN PLANTING AREAS TO 1% MINIMUM FLOW. FINISH GRADES SHALL BE 2" BELOW ADJACENT WALKS, CURBS, DRIVEWAYS, ETC. IN GROUND COVER AREAS AND 1" BELOW IN TURF.

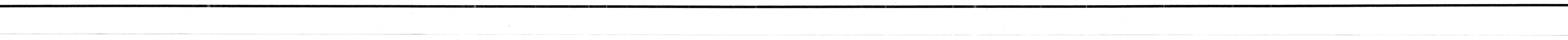
A Tree Planting N.T.S.



B Root Barrier N.T.S.



C Shrub Planting N.T.S.



D Groundcover Spacing N.T.S.

