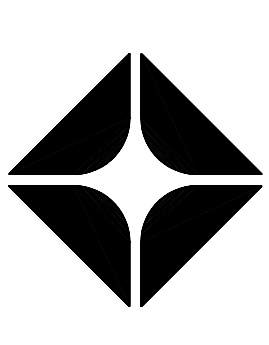




PRINCE REAL ESTATE HOLDINGS, INC.
RIVERSIDE COUNTY TRAVEL ZONE LLC
COO & CUSTOMER



BRAND:
RIVERSIDE COUNTY TRAVEL ZONE LLC
COO & CUSTOMER

WESTERNSTATES
Engineering & Construction, Inc.
733 N. MAIN ST.
ORANGE, CA 92666
714/769-2000
714/769-2002 Fax
WWW.WESTSTATES.COM
A "Design/Build" Co.

NO.	DATE	REVISION DESCRIPTION
1	11-17-01	BUILDING SUBMITTAL
2	11-17-01	REVISED PER PLAN CHECK
3	11-17-01	REVISED PER PLAN CHECKS
4	11-17-01	REVISED PER PLAN CHECKS
5	11-17-01	REVISED PER PLAN CHECKS
6	11-17-01	REVISED PER PLAN CHECKS
7	11-17-01	REVISED PER PLAN CHECKS
8	11-17-01	REVISED PER PLAN CHECKS
9	11-17-01	REVISED PER PLAN CHECKS
10	11-17-01	REVISED PER PLAN CHECKS
11	11-17-01	REVISED PER PLAN CHECKS
12	11-17-01	REVISED PER PLAN CHECKS
13	11-17-01	REVISED PER PLAN CHECKS
14	11-17-01	REVISED PER PLAN CHECKS
15	11-17-01	REVISED PER PLAN CHECKS
16	11-17-01	REVISED PER PLAN CHECKS
17	11-17-01	REVISED PER PLAN CHECKS
18	11-17-01	REVISED PER PLAN CHECKS
19	11-17-01	REVISED PER PLAN CHECKS
20	11-17-01	REVISED PER PLAN CHECKS
21	11-17-01	REVISED PER PLAN CHECKS
22	11-17-01	REVISED PER PLAN CHECKS
23	11-17-01	REVISED PER PLAN CHECKS
24	11-17-01	REVISED PER PLAN CHECKS
25	11-17-01	REVISED PER PLAN CHECKS
26	11-17-01	REVISED PER PLAN CHECKS
27	11-17-01	REVISED PER PLAN CHECKS
28	11-17-01	REVISED PER PLAN CHECKS
29	11-17-01	REVISED PER PLAN CHECKS
30	11-17-01	REVISED PER PLAN CHECKS
31	11-17-01	REVISED PER PLAN CHECKS
32	11-17-01	REVISED PER PLAN CHECKS
33	11-17-01	REVISED PER PLAN CHECKS
34	11-17-01	REVISED PER PLAN CHECKS
35	11-17-01	REVISED PER PLAN CHECKS
36	11-17-01	REVISED PER PLAN CHECKS
37	11-17-01	REVISED PER PLAN CHECKS
38	11-17-01	REVISED PER PLAN CHECKS
39	11-17-01	REVISED PER PLAN CHECKS
40	11-17-01	REVISED PER PLAN CHECKS
41	11-17-01	REVISED PER PLAN CHECKS
42	11-17-01	REVISED PER PLAN CHECKS
43	11-17-01	REVISED PER PLAN CHECKS
44	11-17-01	REVISED PER PLAN CHECKS
45	11-17-01	REVISED PER PLAN CHECKS
46	11-17-01	REVISED PER PLAN CHECKS
47	11-17-01	REVISED PER PLAN CHECKS
48	11-17-01	REVISED PER PLAN CHECKS
49	11-17-01	REVISED PER PLAN CHECKS
50	11-17-01	REVISED PER PLAN CHECKS
51	11-17-01	REVISED PER PLAN CHECKS
52	11-17-01	REVISED PER PLAN CHECKS
53	11-17-01	REVISED PER PLAN CHECKS
54	11-17-01	REVISED PER PLAN CHECKS
55	11-17-01	REVISED PER PLAN CHECKS
56	11-17-01	REVISED PER PLAN CHECKS
57	11-17-01	REVISED PER PLAN CHECKS
58	11-17-01	REVISED PER PLAN CHECKS
59	11-17-01	REVISED PER PLAN CHECKS
60	11-17-01	REVISED PER PLAN CHECKS
61	11-17-01	REVISED PER PLAN CHECKS
62	11-17-01	REVISED PER PLAN CHECKS
63	11-17-01	REVISED PER PLAN CHECKS
64	11-17-01	REVISED PER PLAN CHECKS
65	11-17-01	REVISED PER PLAN CHECKS
66	11-17-01	REVISED PER PLAN CHECKS
67	11-17-01	REVISED PER PLAN CHECKS
68	11-17-01	REVISED PER PLAN CHECKS
69	11-17-01	REVISED PER PLAN CHECKS
70	11-17-01	REVISED PER PLAN CHECKS
71	11-17-01	REVISED PER PLAN CHECKS
72	11-17-01	REVISED PER PLAN CHECKS
73	11-17-01	REVISED PER PLAN CHECKS
74	11-17-01	REVISED PER PLAN CHECKS
75	11-17-01	REVISED PER PLAN CHECKS
76	11-17-01	REVISED PER PLAN CHECKS
77	11-17-01	REVISED PER PLAN CHECKS
78	11-17-01	REVISED PER PLAN CHECKS
79	11-17-01	REVISED PER PLAN CHECKS
80	11-17-01	REVISED PER PLAN CHECKS
81	11-17-01	REVISED PER PLAN CHECKS
82	11-17-01	REVISED PER PLAN CHECKS
83	11-17-01	REVISED PER PLAN CHECKS
84	11-17-01	REVISED PER PLAN CHECKS
85	11-17-01	REVISED PER PLAN CHECKS
86	11-17-01	REVISED PER PLAN CHECKS
87	11-17-01	REVISED PER PLAN CHECKS
88	11-17-01	REVISED PER PLAN CHECKS
89	11-17-01	REVISED PER PLAN CHECKS
90	11-17-01	REVISED PER PLAN CHECKS
91	11-17-01	REVISED PER PLAN CHECKS
92	11-17-01	REVISED PER PLAN CHECKS
93	11-17-01	REVISED PER PLAN CHECKS
94	11-17-01	REVISED PER PLAN CHECKS
95	11-17-01	REVISED PER PLAN CHECKS
96	11-17-01	REVISED PER PLAN CHECKS
97	11-17-01	REVISED PER PLAN CHECKS
98	11-17-01	REVISED PER PLAN CHECKS
99	11-17-01	REVISED PER PLAN CHECKS
100	11-17-01	REVISED PER PLAN CHECKS

CONSENT OF THE BOARD OF SUPERVISORS
I, THE BOARD OF SUPERVISORS OF THE COUNTY OF RIVERSIDE, CALIFORNIA, DO HEREBY CONSENT TO THE SUBMITTAL OF THE ABOVE REVISIONS TO THE PLANS FOR THE PROJECT DESCRIBED HEREIN, AND TO THE REVISION OF THE PLANS AS SHOWN ON THESE REVISIONS. THIS CONSENT IS GIVEN ON THE CONDITION THAT THE REVISIONS DO NOT VIOLATE ANY APPLICABLE CODES, ORDINANCES, REGULATIONS, OR STANDARDS. THE BOARD OF SUPERVISORS DOES NOT WARRANT THE ACCURACY OR COMPLETENESS OF THE REVISIONS. THE REVISIONS ARE THE SOLE RESPONSIBILITY OF THE DESIGNER. THIS CONSENT IS VALID FOR THE PROJECT DESCRIBED HEREIN AND FOR THE PERIOD OF 90 DAYS FROM THE DATE OF THIS CONSENT. ANY REVISIONS MADE AFTER THIS DATE SHALL BE AT THE DESIGNER'S SOLE RESPONSIBILITY. THIS CONSENT IS VALID FOR THE PROJECT DESCRIBED HEREIN AND FOR THE PERIOD OF 90 DAYS FROM THE DATE OF THIS CONSENT. ANY REVISIONS MADE AFTER THIS DATE SHALL BE AT THE DESIGNER'S SOLE RESPONSIBILITY.

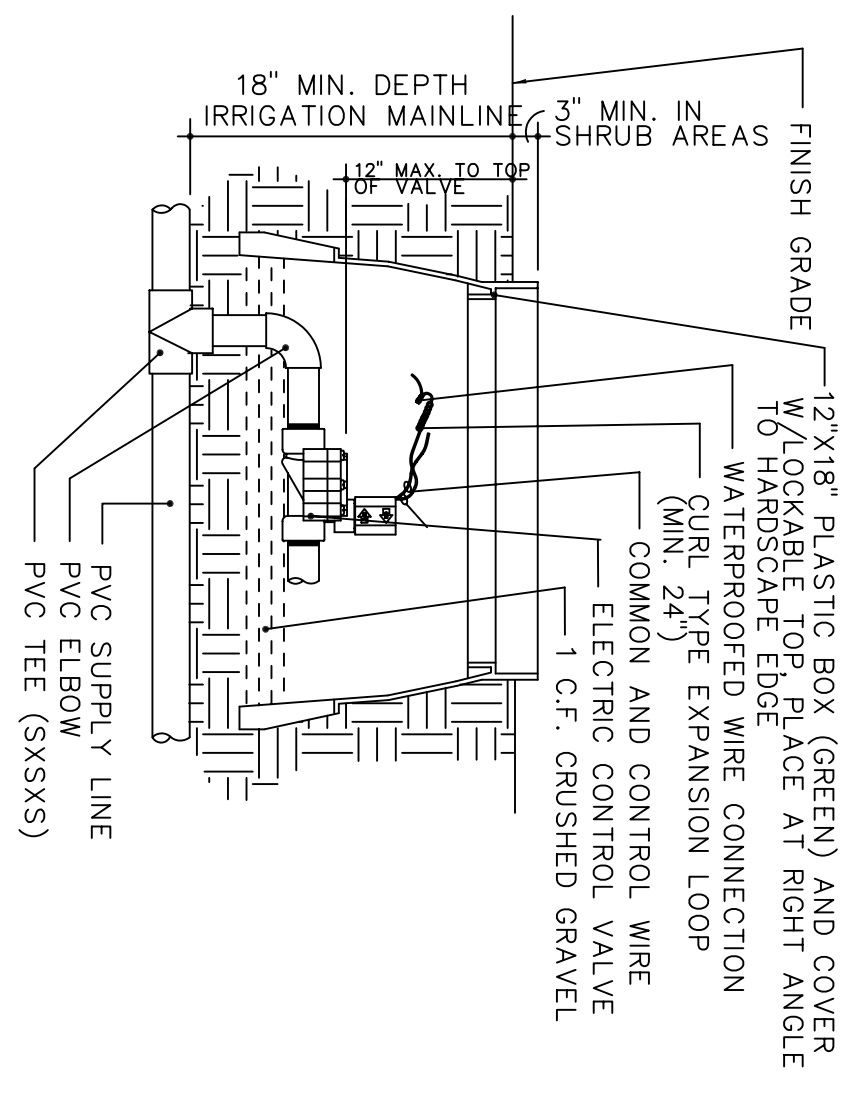
DEVELOPMENT INFORMATION
NEW BUILD (STICK)
3600 SERIES AM/PM
CENTER CASHIER
TO GO DELI

SITE ADDRESS:
23261 CALALCO EXWY.
@ RAINALL AVENUE
FERRIS, CALIFORNIA 92521

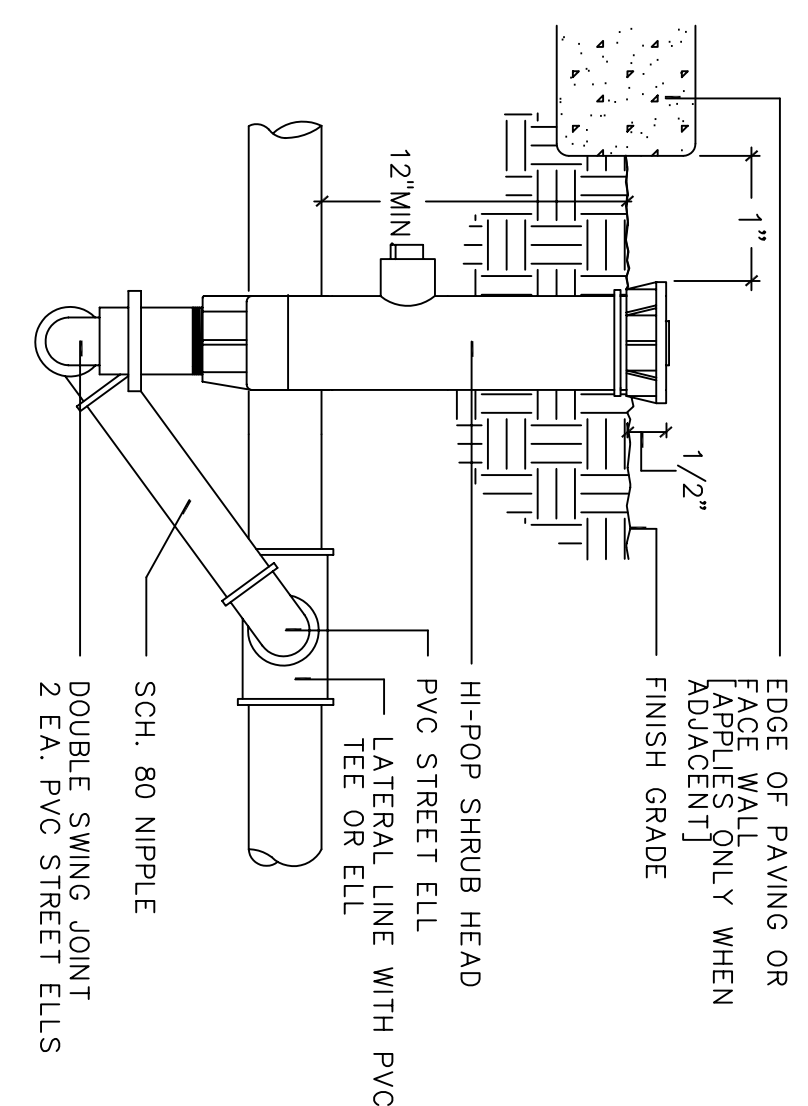
DESIGNED BY: CALALCO EXWY.
CHECKED BY: JIP REP/PC
DRAWN BY: CALALCO EXWY.
VERSION: V01
PROJECT NO: E75403
DRAWING TITLE: LANDSCAPING DETAILS
SHEET NO:

LANDSCAPING DETAILS
NO SCALE

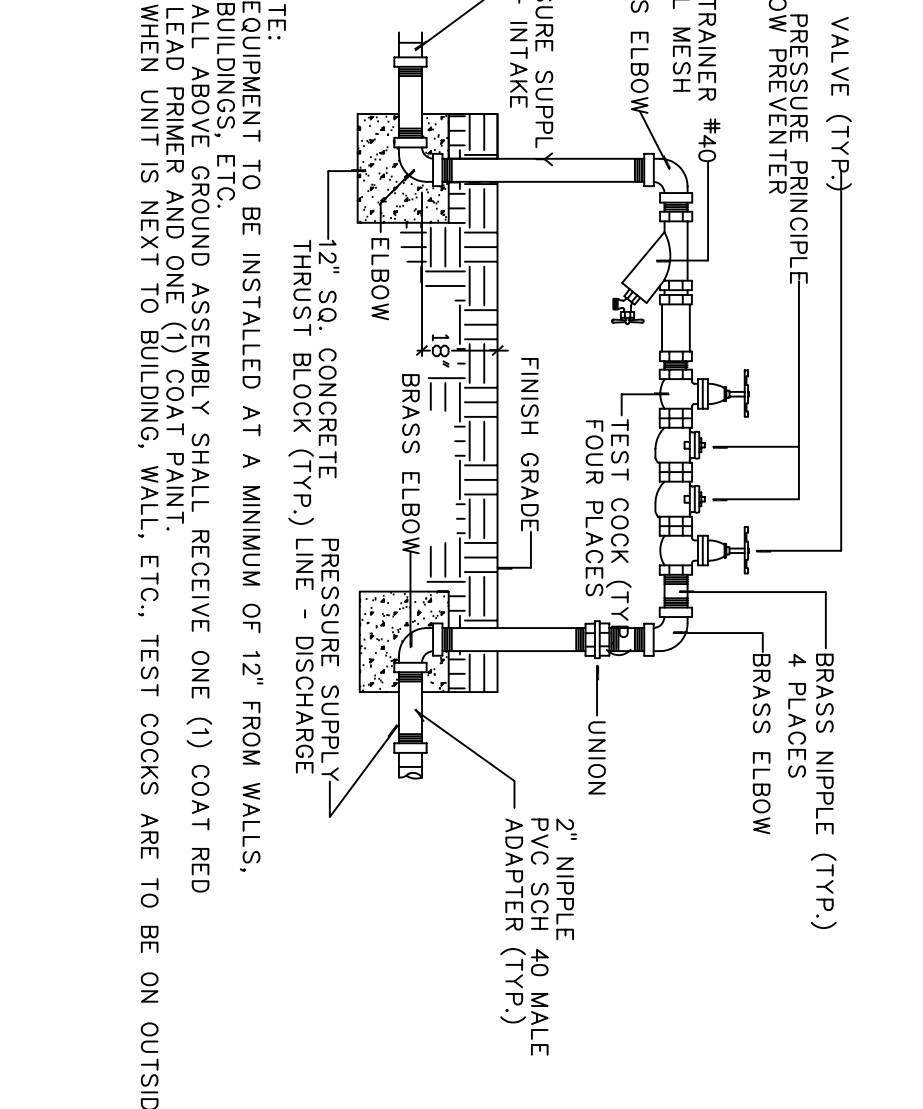
L-3



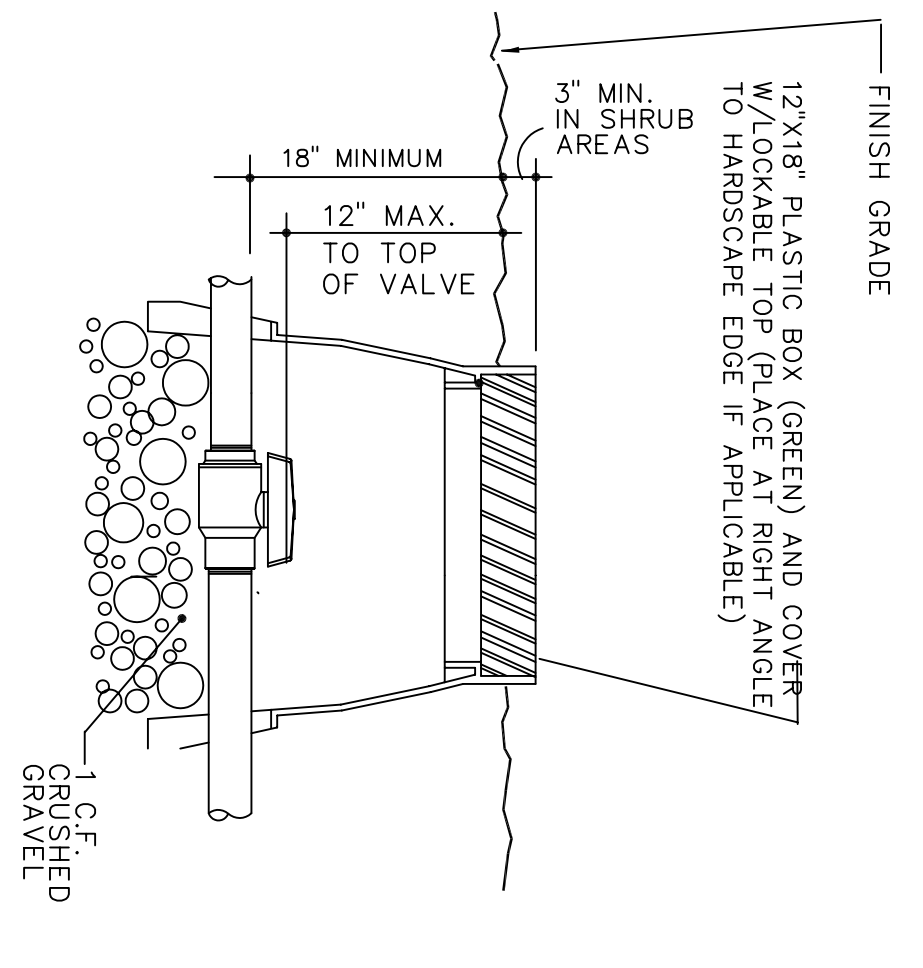
ELECTRIC REMOTE CONTROL VALVE



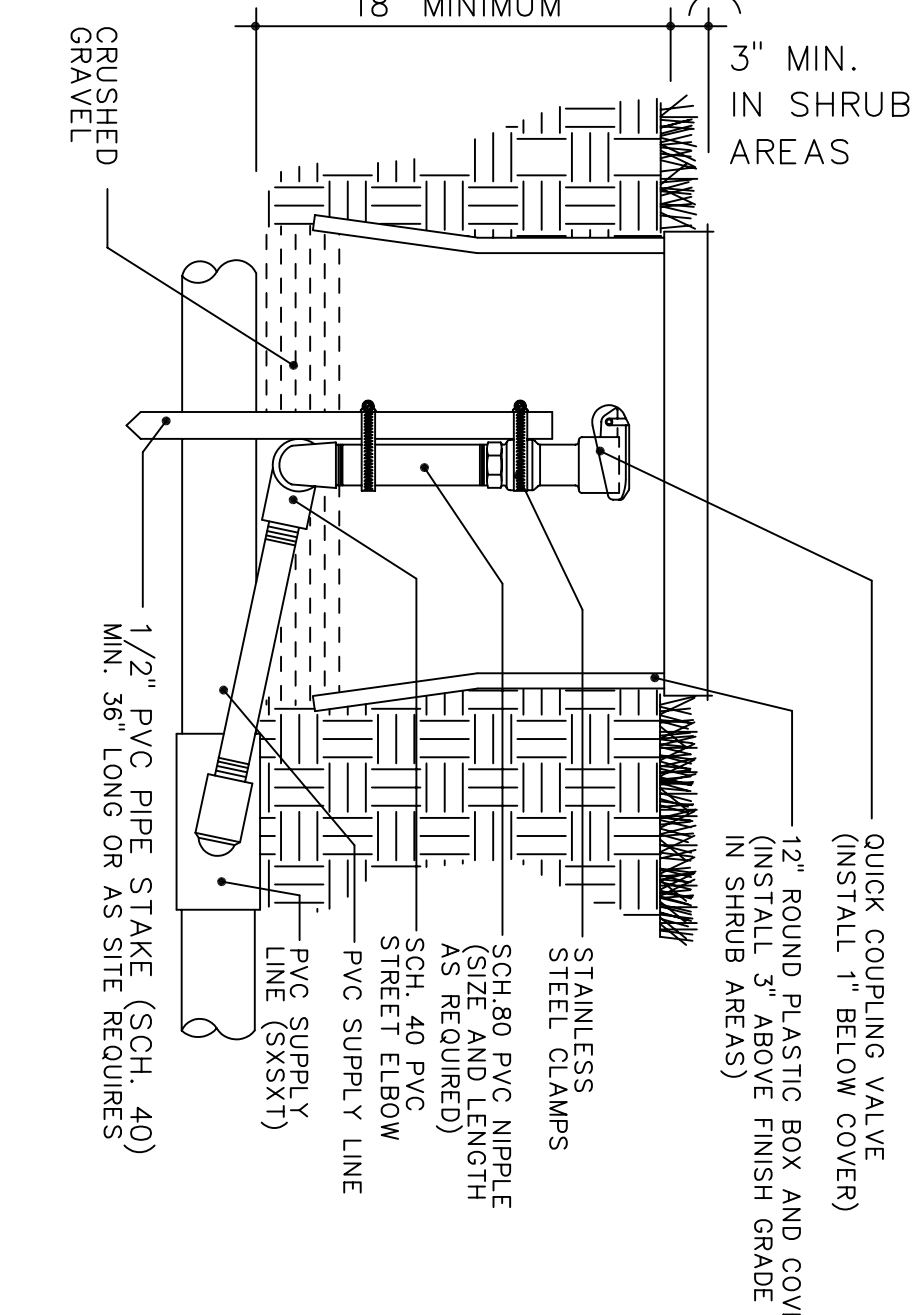
POP-UP SHRUB SPRINKLER



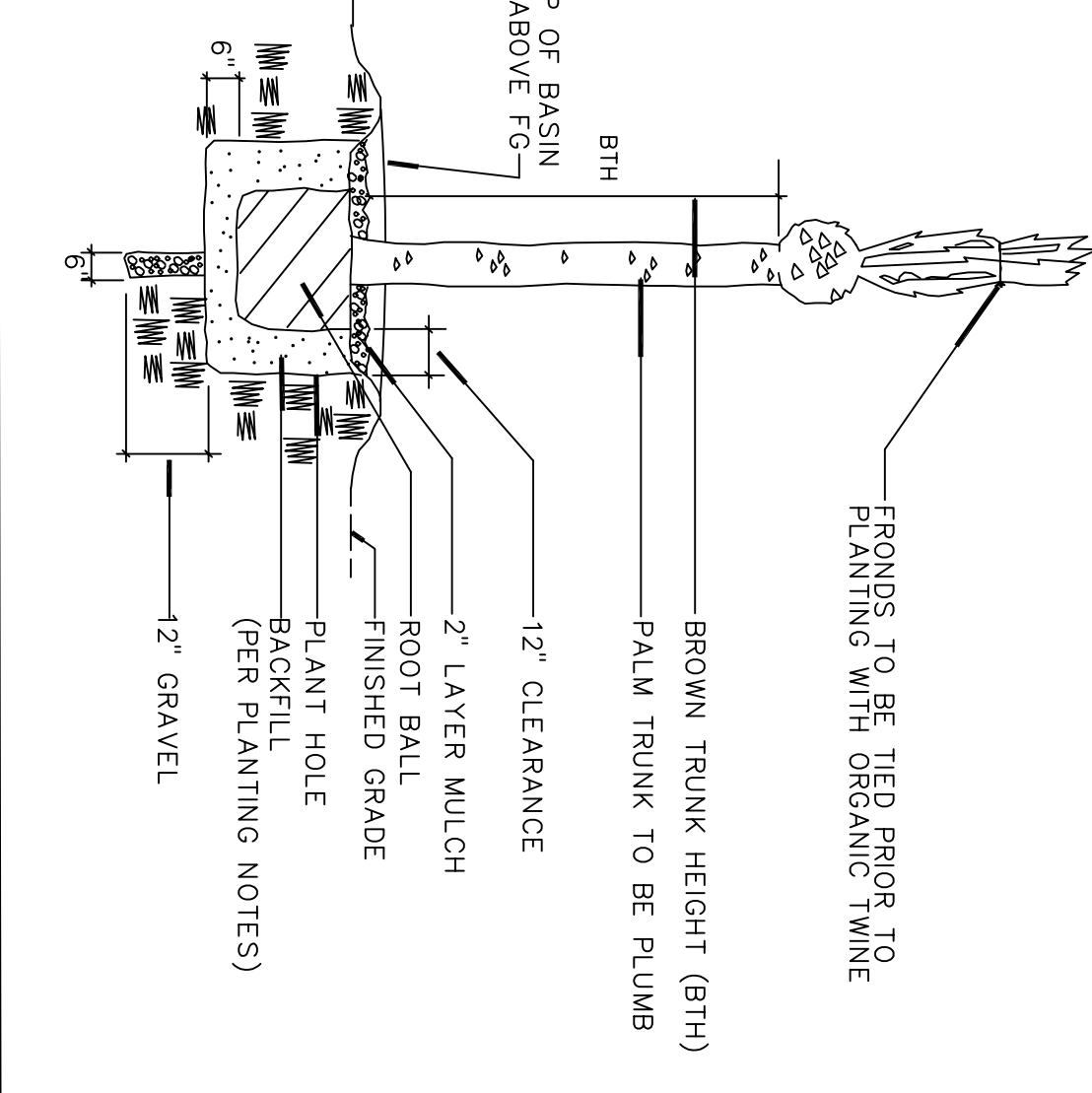
REDUCED PRESSURE BACKFLOW PREVENTER



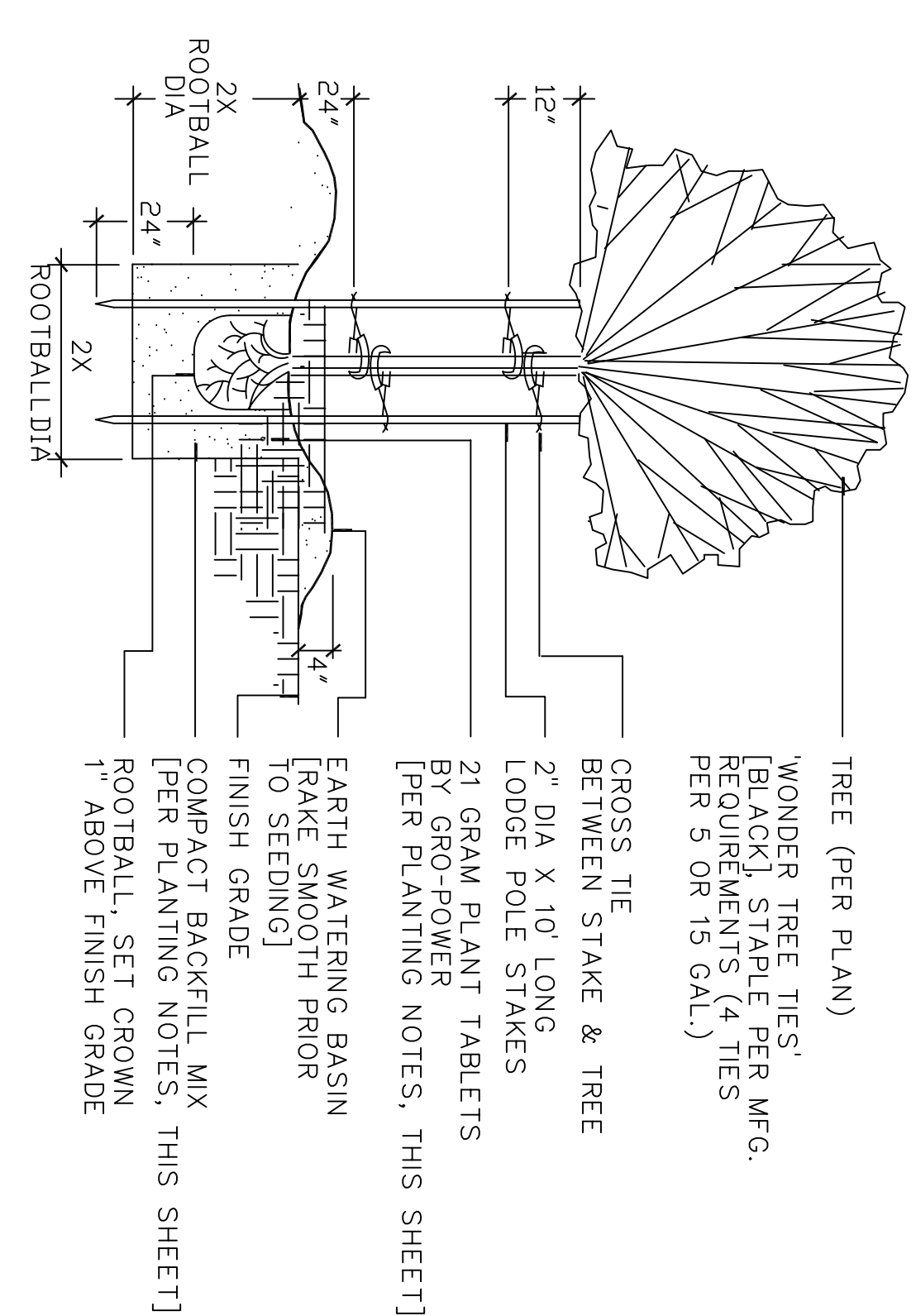
BALL VALVE



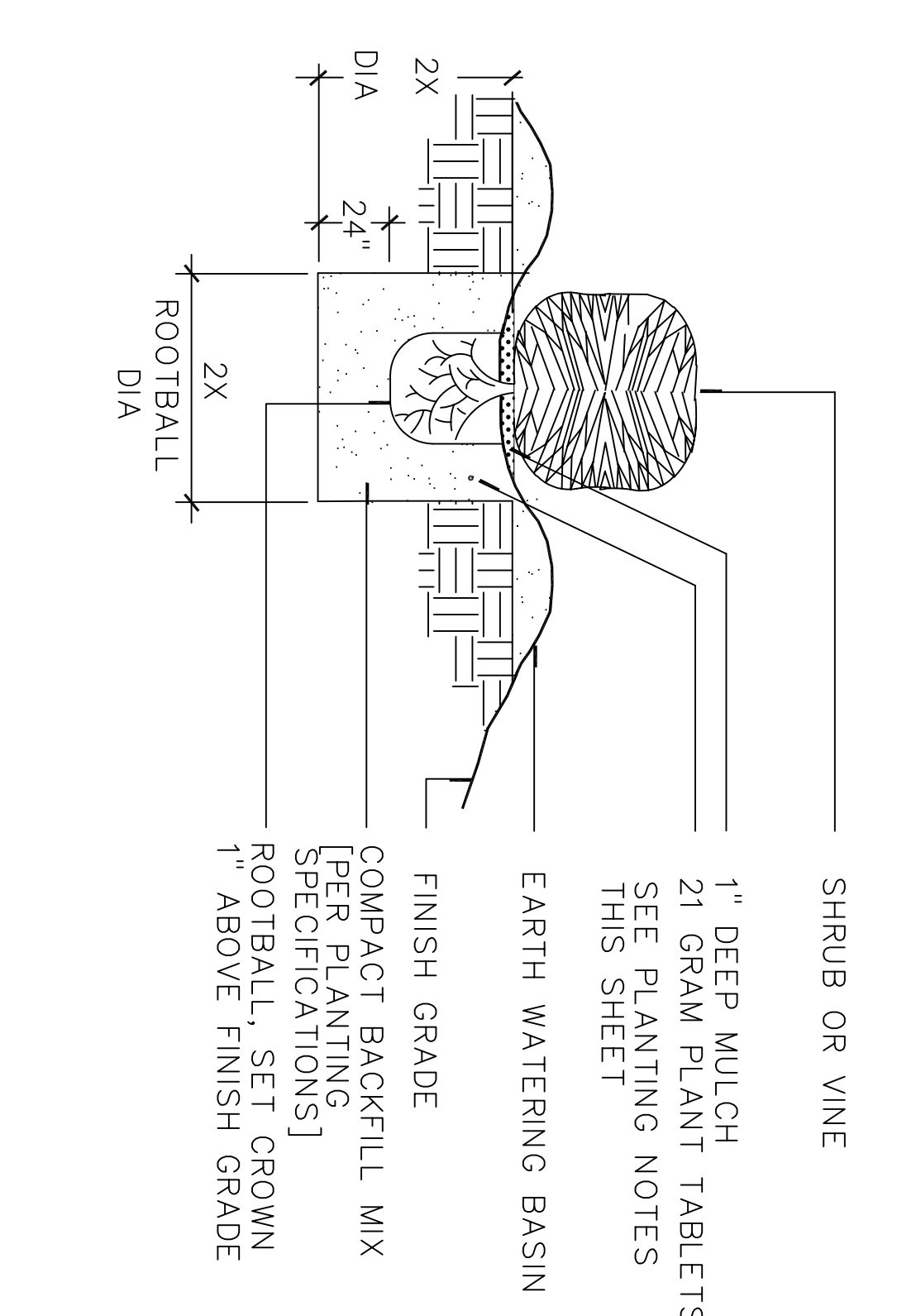
QUICK COUPLING VALVE



PALM TREE RELOCATION PLANTING



TREE PLANTING



SHRUB PLANTING

PLANTING NOTES

A. PLANTING PITS SHALL BE DUG WITH LEVEL BOTTOMS, THE WIDTH TWICE THE DIAMETER OF THE ROOTBALL AND 6" DEEPER THAN THE LENGTH OF THE ROOTBALL. PLANTING SHALL BE COMPLETED WITH THE FOLLOWING PREPARED SOIL MIX:
1. 2 PARTS EXCAVATED SOIL
2. 1 PART NITROPHOS
3. 1 PART SUPERPHOSPHATE
4. 1 PART REDWOOD SHAVINGS
5. 1 PART 20-20-20 FERTILIZER
6. 1 PART 20-20-20 FERTILIZER
7. 1 PART 20-20-20 FERTILIZER
8. 1 PART 20-20-20 FERTILIZER
9. 1 PART 20-20-20 FERTILIZER
10. 1 PART 20-20-20 FERTILIZER
11. 1 PART 20-20-20 FERTILIZER
12. 1 PART 20-20-20 FERTILIZER
13. 1 PART 20-20-20 FERTILIZER
14. 1 PART 20-20-20 FERTILIZER
15. 1 PART 20-20-20 FERTILIZER
16. 1 PART 20-20-20 FERTILIZER
17. 1 PART 20-20-20 FERTILIZER
18. 1 PART 20-20-20 FERTILIZER
19. 1 PART 20-20-20 FERTILIZER
20. 1 PART 20-20-20 FERTILIZER
21. 1 PART 20-20-20 FERTILIZER
22. 1 PART 20-20-20 FERTILIZER
23. 1 PART 20-20-20 FERTILIZER
24. 1 PART 20-20-20 FERTILIZER
25. 1 PART 20-20-20 FERTILIZER
26. 1 PART 20-20-20 FERTILIZER
27. 1 PART 20-20-20 FERTILIZER
28. 1 PART 20-20-20 FERTILIZER
29. 1 PART 20-20-20 FERTILIZER
30. 1 PART 20-20-20 FERTILIZER
31. 1 PART 20-20-20 FERTILIZER
32. 1 PART 20-20-20 FERTILIZER
33. 1 PART 20-20-20 FERTILIZER
34. 1 PART 20-20-20 FERTILIZER
35. 1 PART 20-20-20 FERTILIZER
36. 1 PART 20-20-20 FERTILIZER
37. 1 PART 20-20-20 FERTILIZER
38. 1 PART 20-20-20 FERTILIZER
39. 1 PART 20-20-20 FERTILIZER
40. 1 PART 20-20-20 FERTILIZER
41. 1 PART 20-20-20 FERTILIZER
42. 1 PART 20-20-20 FERTILIZER
43. 1 PART 20-20-20 FERTILIZER
44. 1 PART 20-20-20 FERTILIZER
45. 1 PART 20-20-20 FERTILIZER
46. 1 PART 20-20-20 FERTILIZER
47. 1 PART 20-20-20 FERTILIZER
48. 1 PART 20-20-20 FERTILIZER
49. 1 PART 20-20-20 FERTILIZER
50. 1 PART 20-20-20 FERTILIZER
51. 1 PART 20-20-20 FERTILIZER
52. 1 PART 20-20-20 FERTILIZER
53. 1 PART 20-20-20 FERTILIZER
54. 1 PART 20-20-20 FERTILIZER
55. 1 PART 20-20-20 FERTILIZER
56. 1 PART 20-20-20 FERTILIZER
57. 1 PART 20-20-20 FERTILIZER
58. 1 PART 20-20-20 FERTILIZER
59. 1 PART 20-20-20 FERTILIZER
60. 1 PART 20-20-20 FERTILIZER
61. 1 PART 20-20-20 FERTILIZER
62. 1 PART 20-20-20 FERTILIZER
63. 1 PART 20-20-20 FERTILIZER
64. 1 PART 20-20-20 FERTILIZER
65. 1 PART 20-20-20 FERTILIZER
66. 1 PART 20-20-20 FERTILIZER
67. 1 PART 20-20-20 FERTILIZER
68. 1 PART 20-20-20 FERTILIZER
69. 1 PART 20-20-20 FERTILIZER
70. 1 PART 20-20-20 FERTILIZER
71. 1 PART 20-20-20 FERTILIZER
72. 1 PART 20-20-20 FERTILIZER
73. 1 PART 20-20-20 FERTILIZER
74. 1 PART 20-20-20 FERTILIZER
75. 1 PART 20-20-20 FERTILIZER
76. 1 PART 20-20-20 FERTILIZER
77. 1 PART 20-20-20 FERTILIZER
78. 1 PART 20-20-20 FERTILIZER
79. 1 PART 20-20-20 FERTILIZER
80. 1 PART 20-20-20 FERTILIZER
81. 1 PART 20-20-20 FERTILIZER
82. 1 PART 20-20-20 FERTILIZER
83. 1 PART 20-20-20 FERTILIZER
84. 1 PART 20-20-20 FERTILIZER
85. 1 PART 20-20-20 FERTILIZER
86. 1 PART 20-20-20 FERTILIZER
87. 1 PART 20-20-20 FERTILIZER
88. 1 PART 20-20-20 FERTILIZER
89. 1 PART 20-20-20 FERTILIZER
90. 1 PART 20-20-20 FERTILIZER
91. 1 PART 20-20-20 FERTILIZER
92. 1 PART 20-20-20 FERTILIZER
93. 1 PART 20-20-20 FERTILIZER
94. 1 PART 20-20-20 FERTILIZER
95. 1 PART 20-20-20 FERTILIZER
96. 1 PART 20-20-20 FERTILIZER
97. 1 PART 20-20-20 FERTILIZER
98. 1 PART 20-20-20 FERTILIZER
99. 1 PART 20-20-20 FERTILIZER
100. 1 PART 20-20-20 FERTILIZER

LANDSCAPING DETAILS