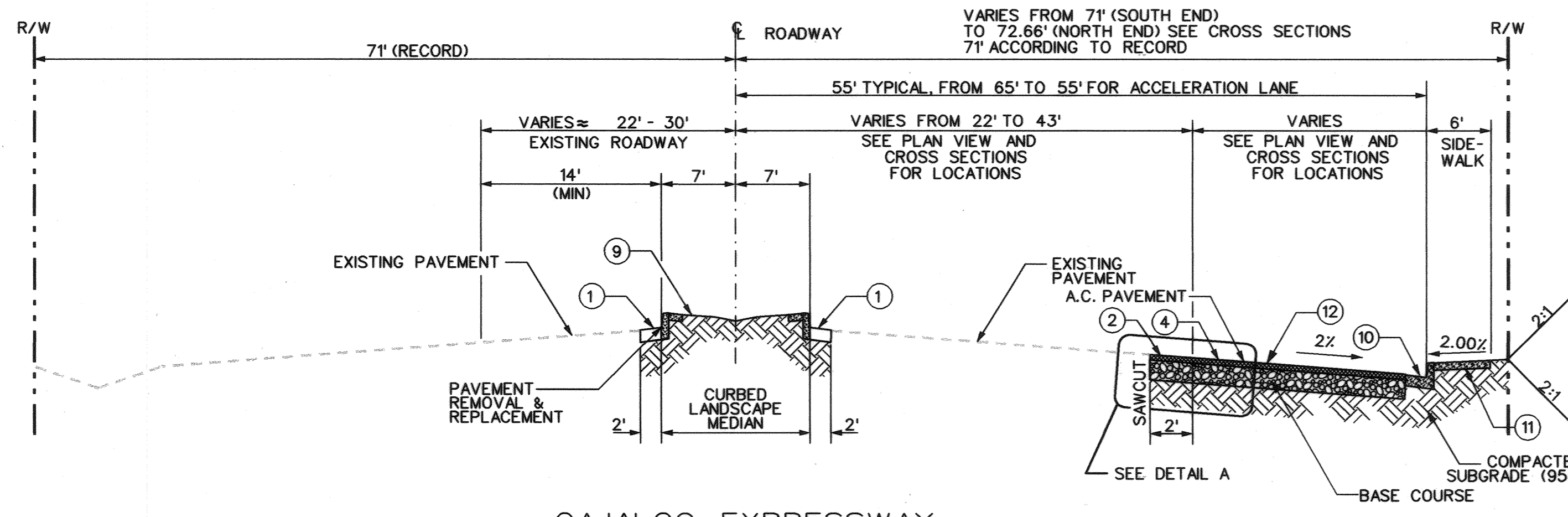
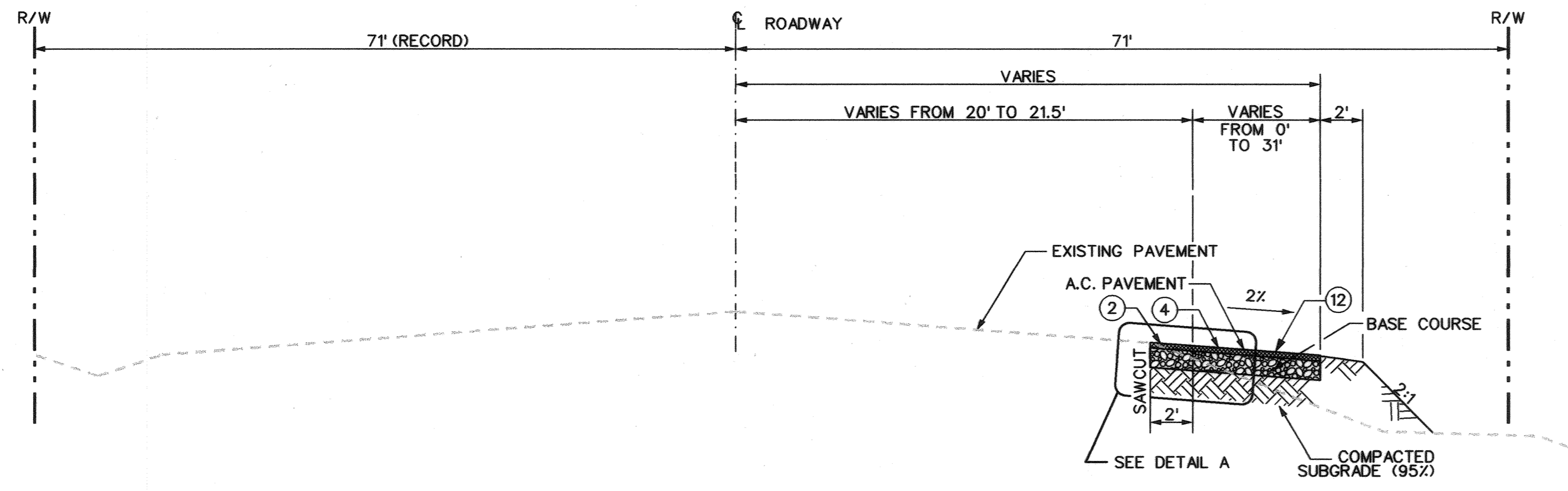


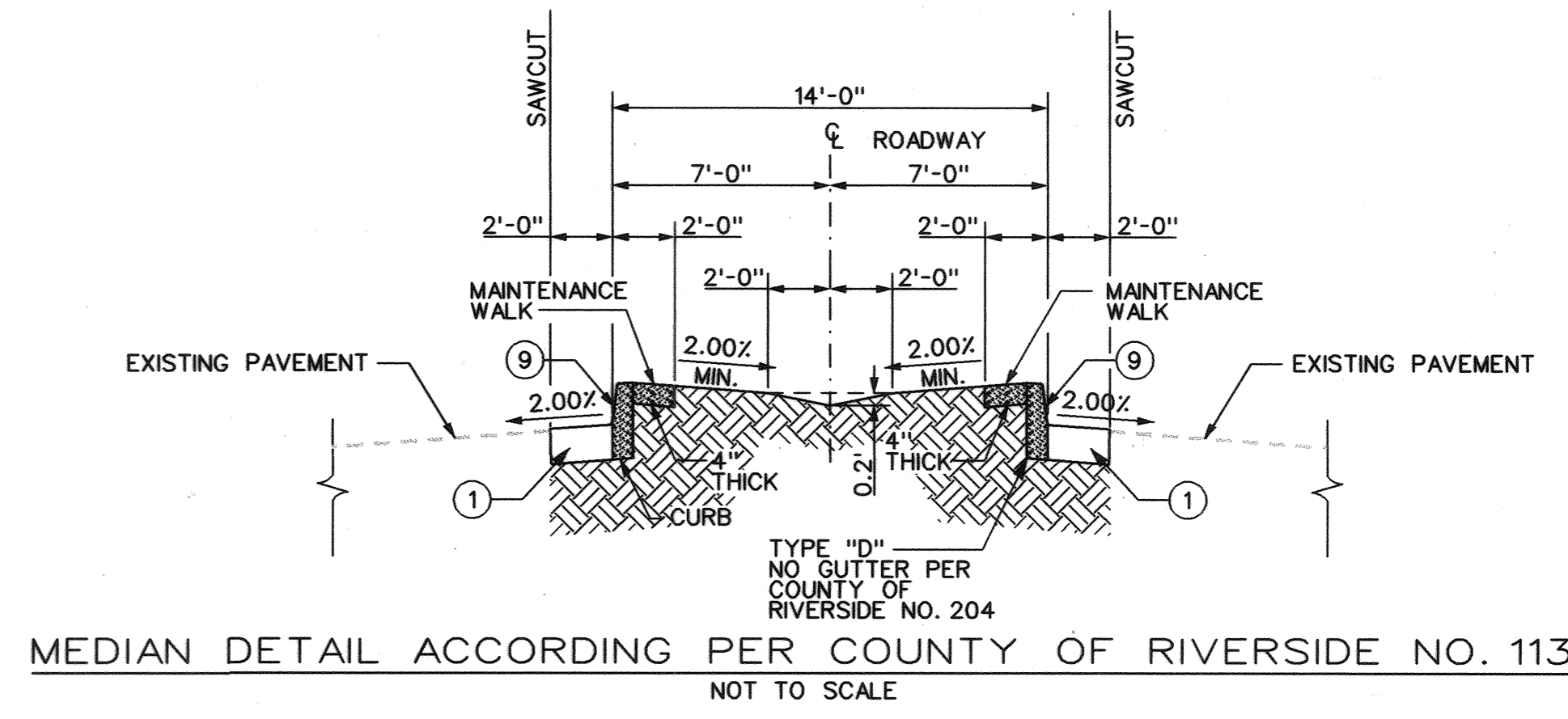
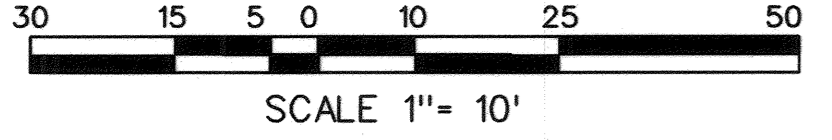
CAJALCO EXPRESSWAY
SCALE: 1"=10' STA. 842+19.87 TO STA. 844+75 (PROJECT END)



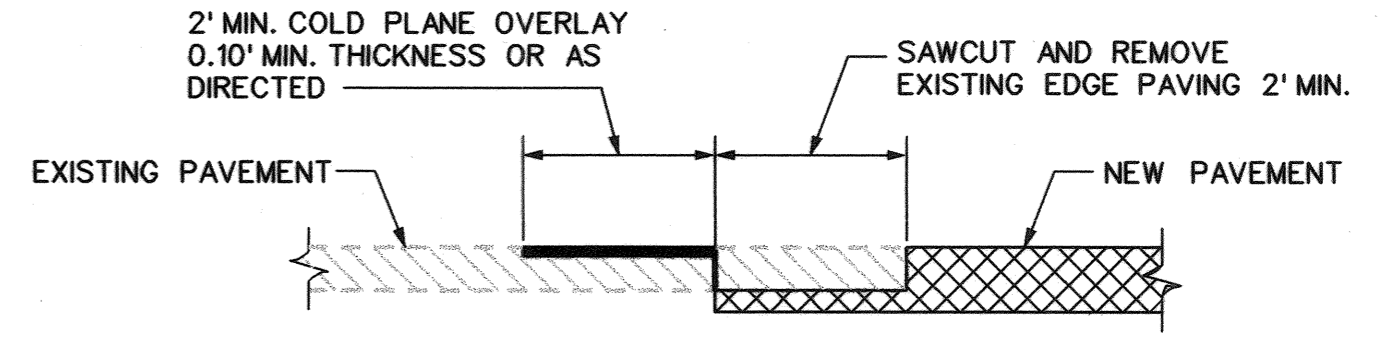
CAJALCO EXPRESSWAY
SCALE: 1"=10' STA. 835+73.90 TO STA. 842+19.87



CAJALCO EXPRESSWAY
SCALE: 1"=10' STA. 835+05.60 TO STA. 835+733.90



MEDIAN DETAIL ACCORDING PER COUNTY OF RIVERSIDE NO. 113
NOT TO SCALE



DETAIL A - MATCHING EXISTING SURFACE
NOT TO SCALE

CONSTRUCTION NOTES

- ① SAW CUT AND REMOVE ASPHALT.
- ② SAW CUT AND REMOVE ASPHALT.
- ③ SAW CUT AND REMOVE ASPHALT.
- ④ REMOVE AND DISPOSE CURB AND GUTTER.
- ⑤ REMOVE AND DISPOSE SIDEWALK.
- ⑥ ADJUST RIM ELEVATION TO MATCH PROPOSED TOP OF ASPHALT.
- ⑦ REMOVE AND DISPOSE EXISTING DRIVEWAY.
- ⑧ REMOVE AND DISPOSE TREES.
- ⑨ CONSTRUCT LANDSCAPE MEDIAN PER COUNTY OF RIVERSIDE STD. NO. 113 AND DETAIL IN THIS SHEET.
- ⑩ CONSTRUCT CURB AND GUTTER A-8 PER RIVERSIDE COUNTY STD. NO. 201.
- ⑪ CONSTRUCT 6'-0" SIDEWALK ACCORDING TO THIS SHEET.
- ⑫ PLACE 3" ASPHALT PAVEMENT OVER 11" CLASS II AGGREGATE BASE OVER EXISTING GROUND AT 95% RELATIVE COMPACTION.
- ⑬ CONSTRUCT DRIVEWAY ACCORDING TO RIVERSIDE COUNTY STD. 207A INCLUDING CROSS-GUTTER LAYOUT PER STD. NO. 209-SEE CURB DATA TABLE.
- ⑭ REMOVE AND DISPOSE EXISTING CATCH BASIN. SEE STORM DRAINAGE PLAN FOR NEW CATCH BASIN LOCATION AND CONNECTION TO EXISTING DRAINAGE.
- ⑮ CONSTRUCT CATCH BASIN PER RIVERSIDE COUNTY STD. 300 AND STORM DRAIN PLANS. CONNECT TO EXISTING PIPE.

GENERAL NOTES:

1. CAJALCO EXPRESSWAY TYPICAL SECTION CORRESPONDS TO AN ARTERIAL (URBAN) HIGHWAY STD No. 100A WITH AN ADDITIONAL 10' LANE FOR RIGHT TURN, AND A 10' ACCELERATION LANE AT THE SOUTH END OF THE PROJECT.
2. FOR HARVILL AVE. TYPICAL SECTION SEE RIVERSIDE COUNTY STANDARD PLAN 101 WITH CURB AND GUTTER LOCATED 38 FEET FROM CENTERLINE AND A 59 FEET HALF WIDTH DEDICATED RIGHT OF WAY.
3. CONTRACTOR TO FIELD VERIFY EXISTING CROSSLOPE. USE 2% MIN. CROSSLOPE FOR PROPOSED ROADWAY WIDENING.

NOTE:
WORK CONTAINED WITHIN THESE PLANS SHALL NOT COMMENCE UNTIL AN ENCROACHMENT PERMIT AND/OR A GRADING PERMIT HAS BEEN ISSUED.
THE PRIVATE ENGINEER SIGNING THESE PLANS IS RESPONSIBLE FOR ASSURING THE ACCURACY AND ACCEPTABILITY OF THE DESIGN HEREON IN THE EVENT OF DISCREPANCIES ARISING AFTER COUNTY APPROVAL OR DURING CONSTRUCTION. THE PRIVATE ENGINEER SHALL BE RESPONSIBLE FOR DETERMINING AN ACCEPTABLE SOLUTION AND REVISING THE PLANS FOR APPROVAL BY THE COUNTY.

| DATE | BY | MARK | APPR | DATE |
|------|----|------|------|------|
| | | | | |
| | | | | |
| | | | | |
| | | | | |

SEAL-COUNTY
COUNTY OF RIVERSIDE
DEPARTMENT OF TRANSPORTATION
APPROVED BY:
Rhaled A. Othman
RHALED A. OTHMAN, P.E.
CIVIL ENGINEER, R.C.E. NO. 33950

SEAL-ENGINEER
Wilson & Company
6/28/06
DATE

SEAL-ENGINEER
PROFESSIONAL ENGINEER
No. C 87159
Exp. 8-06
CIVIL
STATE OF CALIFORNIA

WILSON & COMPANY
275 W. HOSPITALITY LANE STE.
300 SAN BERNARDINO,
CALIFORNIA 92408 PHONE: (909) 806-8000 FAX: (909) 806-8099

BENCHMARK:
NUMBER: 20A69
AGENCY: CAL-TRANS
ELEVATION: 1498.87 FEET
DATUM: SEA LEVEL DATUM OF 1929
DESCRIPTION: CDH BRASS DISK
LOCATION: IN CONCRETE 4.5' WEST OF WEST R/W FENCE, 22.5' EAST OF EAST RAIL BUR 0.7' 0.19 MI SOUTH OF RAMONA EXPRESSWAY

CUP3370 I.P. No. 040124
COUNTY OF RIVERSIDE
STREET IMPROVEMENT PLANS
CAJALCO EXPRESSWAY
TYPICAL SECTIONS
FOR: W.O. COUNTY FILE NO.:

SHEET NO.
2
2 OF 8 SHTS.